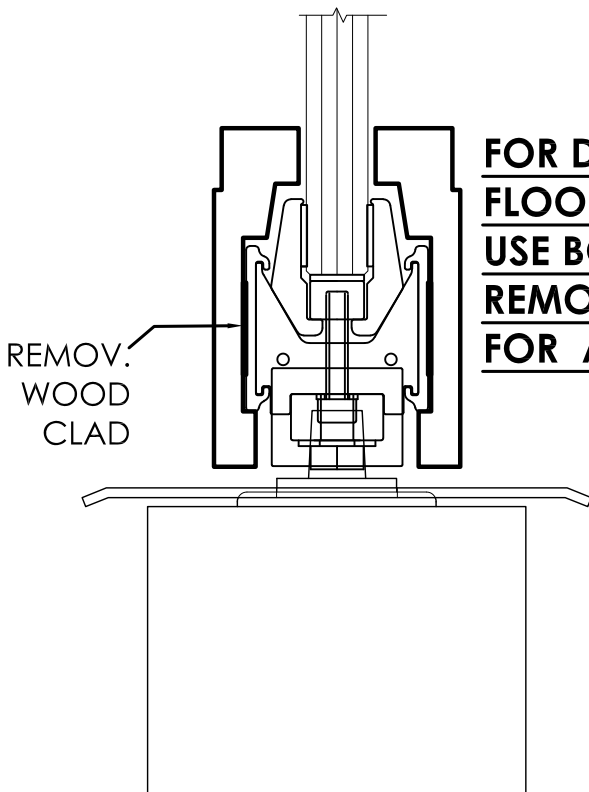
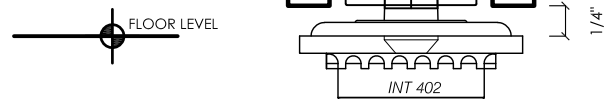


**FOR DOORS WITH
OHC CLOSER,
USE TOP RAIL W/
REMOVABLE CLAD
FOR ADJUSTMENT**



**FOR DOORS WITH
FLOOR CLOSER,
USE BOTTOM RAIL W/
REMOVABLE CLAD
FOR ADJUSTMENT**



DOOR RAILS W/ REMOVABLE CLAD DETAIL

GLASS: 1/2" SOLID GLASS
IN MAPLE, WHITE OAK, RED OAK & MAHOGANY & MORE