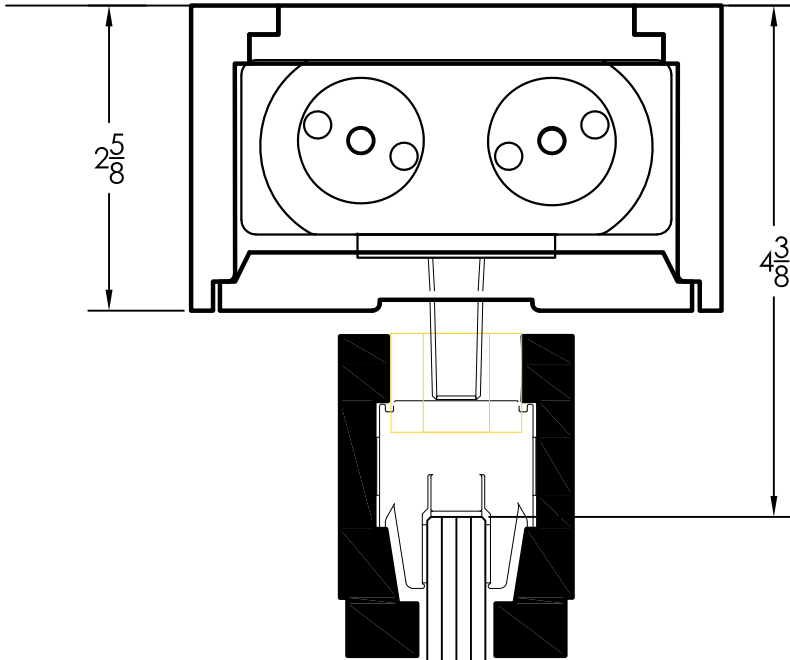
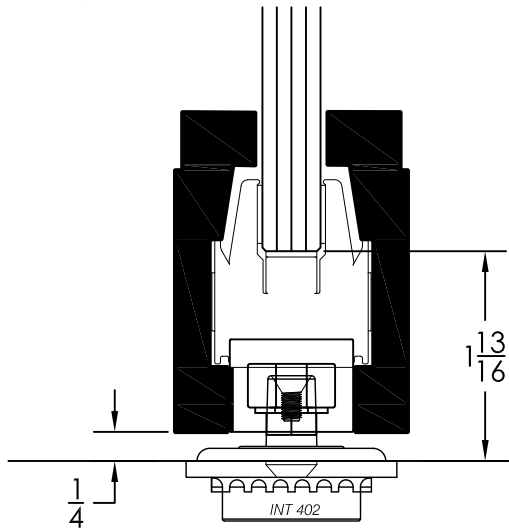


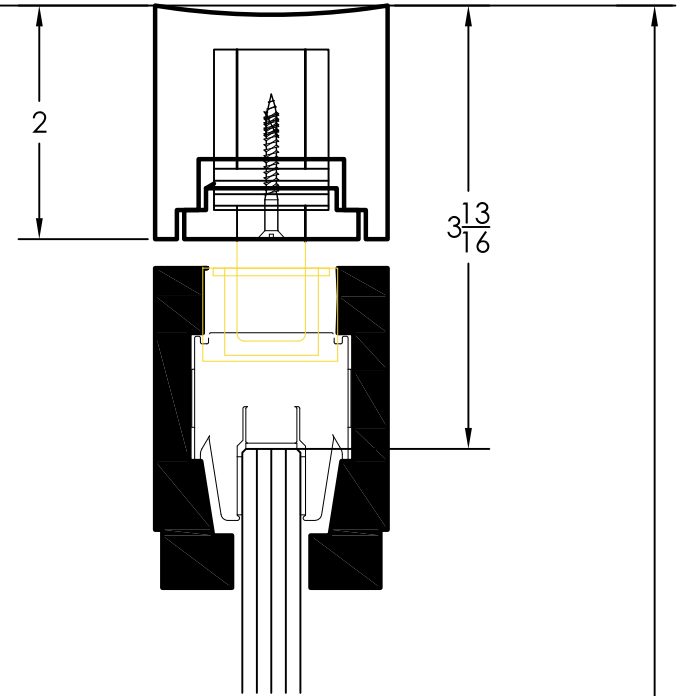
### WIDE HEADER



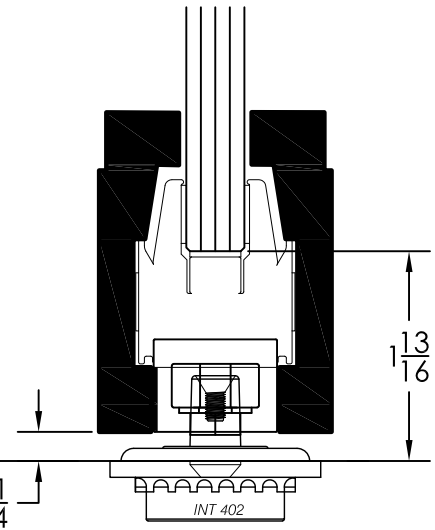
DOOR'S GLASS =  
N.O - 6 3/16



### NARROW HEADER



DOOR'S GLASS =  
N.O - 5 5/8"



NET OPENING [ N.O ]